

Title	Horizontal Localization of Sound Image and Source in Monaural Congenital Deafness
Author(s)	Takahashi, Kyoko; Morikawa, Daisuke
Citation	2017 RISP International Workshop on Nonlinear Circuits, Communications and Signal Processing (NCSP'17): 437-440
Issue Date	2017-03-02
Type	Conference Paper
Text version	publisher
URL	http://hdl.handle.net/10119/14741
Rights	Copyright (C) 2017 Research Institute of Signal Processing, Japan. Kyoko Takahashi and Daisuke Morikawa, 2017 RISP International Workshop on Nonlinear Circuits, Communications and Signal Processing (NCSP'17), 2017, 437-440.
Description	

Horizontal localization of sound image and source in monaural congenital deafness

Kyoko Takahashi and Daisuke Morikawa

Graduate School of Advanced Science and Technology, Japan Advanced Institute of Science and Technology
1-1 Asahidai, Nomi, Ishikawa 923-1292 Japan
E-mail: { kyoko.takahashi, morikawa } @jaist.ac.jp

Abstract

It is well known that interaural time difference, interaural level difference and spectral cue are used to determine 3D sound localization in binaural hearing. In the case of monaural hearing, interaural time difference and interaural level difference are not used. Therefore, it is assumed that there is different perception of sound localization between binaural and monaural hearing. In this study, we investigate the difference in the horizontal localization of sound image and source in monaural hearing. An experiment involving horizontal sound localization was performed with one female participant suffering from congenital complete hearing loss in the left ear. The experimental system consisted of 12 loudspeakers placed horizontally on the circumference of a circle having a radius of 1 m at 30-degree intervals. Four experimental sessions were performed (including 60 white noise stimuli per session). Excluding the instances with no localization (12%), all sound images were localized on the right side (0~180 degrees). It appeared that sound images were localized on the side with the well-hearing ear, but not on the side with deaf ear. Sound source localization was possible generally over 360 degrees (in ± 30 -degree allowance, 90.8%). As a result, we confirmed that the localization of sound image and source was discrete in congenital monaural hearing.

1. Introduction

In the field of spatial hearing, “sound image” is defined as a perceived image from sound signals and “sound source” is defined as something that generates sound signals. However, in the case of sound localization in binaural hearing, sound image and source are almost indistinguishable owing to localization in the same dimension. This is because interaural time difference, interaural level difference and spectral cue are available to determine sound localization in binaural hearing. By contrast, in monaural hearing, it is assumed that localization of sound image and source are different result because monaural-hearing listeners only use spectral cues.

Several studies on sound localization in monaural hearing have been conducted. However, in these studies, only a few studies have been able to clearly distinguish sound image

from sound source. It is predicted that there are the result of localization of sound image and the result of localization of sound source.

In this study, we investigate the difference in the horizontal localization of sound image and source in monaural hearing and perform two experiments on the localization of sound image and sound source by monaural congenital monaural deaf participant who is used to the perception of sound direction in monaural hearing.

2. Experiment

2.1 Experimental system and stimuli

Figure 1 shows the experimental setup. The system comprised a Windows-based PC, two digital-to-analog converters (DACs) (RME, Fireface USX), six power amplifiers (ONKYO, CR-M755), and 12 loudspeakers (Vifa, MG10 SD-09-08). Sampling rate of the DACs was 48 kHz, and the quantization bit length was 24 bit. The loudspeakers were placed horizontally on the circumference of a circle having a radius of 1-m at 30-degree intervals in a the soundproof room. The height of the loudspeakers was 1.1 m. The participant sat on a chair set at the center of the circle of loudspeakers such that the height of the opening of the external acoustic canal was the same as the height of the loudspeakers, and perceived stimuli.

White noise was used as stimuli. The stimulus duration and interval time were both 3 s. A 30-ms linear taper window was applied at the beginning and the end of stimuli application. The sound pressure of stimuli was 70 dB at the head center position.

2.2 Participant and experimental method

The participant was a female (23 years old) suffering from monaural congenital deafness: normal hearing in the right side ear, deafness in the left.

The experiment of horizontal localization of sound image was carried out over four sessions. One session sequence was included five stimuli from each loudspeaker at random. The

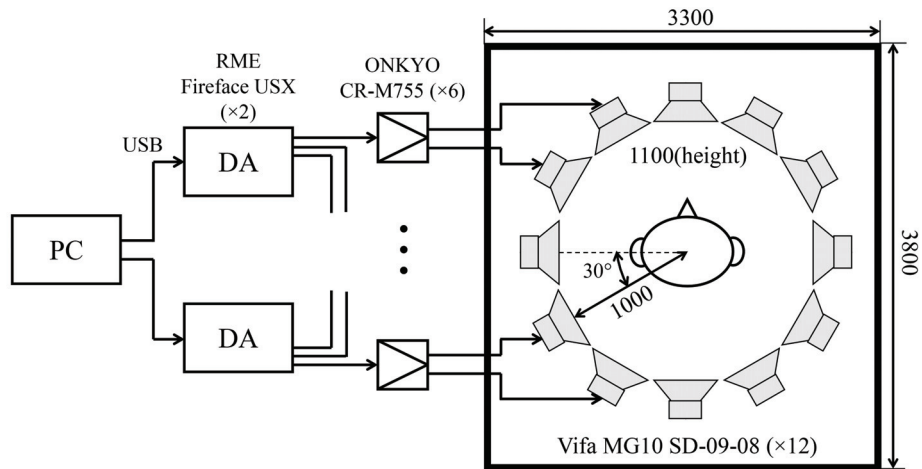


Figure 1: Experimental system

total number of stimuli was 60 in four sessions. The participant was instructed to face the front and keep her head still while the stimuli were presented, and to answer after presentation of the stimuli was complete. Next, the experiment on horizontal localization of sound source was performed by following the same procedure.

The questionnaire forced a choice among one of 12 directions as the response, and the participant's responses mentioned the directions in which the sound image and the sound source were localized.

3. Result

Figure 2 illustrates the introspective perception of the participant in localization of sound image and source. The two circles made of dashed lines represent the localized positions of the sound image and the sound source. As shown in this figure, the participant perceived introspective differences between the localization of sound image and that of sound source.

Figure 3(a) shows the result of localization of sound image over four sessions, and Fig. 3(b) shows the result of localization of sound source over four sessions. In each figure, the ordinate represents the perceived azimuth, and the abscissa represents the azimuth of the loudspeakers presenting the stimuli. The front of the participant is 0 degrees in the counterclockwise direction. The red points denote the answers related to external-head localization, and the yellow ones indicate that the participant could not localize a given stimulus. The size of each point represents the number of responses. The upward right direction of the red diagonal line means the case that the perceived azimuth is in line with the azimuth of the loudspeakers. Front-back confusion did not

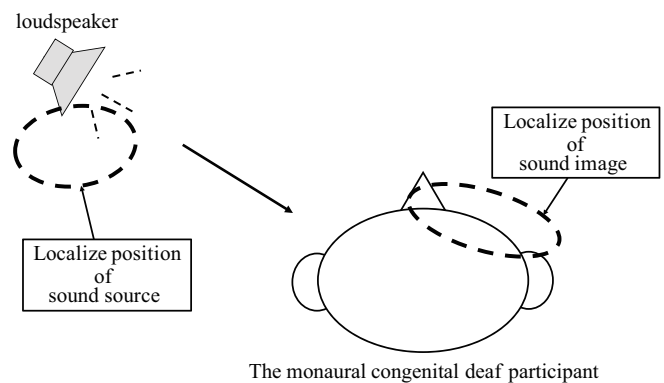


Figure 2: Perception of sound image and sound source in monaural congenital monaural deafness

appear in the results of the experiment on the localization of sound image and source.

Figure 4 shows the number of responses in the horizontal localization of sound image and source over four sessions for each sound image and source. The ordinate represents the number of responses where sound image and source were localized, and the abscissa is the azimuth of the loudspeakers presenting stimuli. The blue dashed line and the circular plots represent the result of localization of sound image, and the red dashed line and circular plots represent the result of localization of sound source. As shown in Fig. 4, all sound images were localized over 0 ~ 180 degrees (*i.e.*, on normal-hearing side), except the unlocalized responses (12%), and

sound images were not localized on the deaf side.

Figure 5 shows the concordance rate of horizontal localization of sound image and source at ± 0 and at ± 30 degrees allowance. The group of bars on the left side represents the concordance rate of localization of sound image, and the one on the right side represents the localization of sound source. In this figure, the yellow bars denote the rate of total responses, blue ones denote the responses from the deaf side, and the red ones denote responses from the normal-hearing side. The concordance rate of localization of sound image on the normal-hearing side was 95.7% with ± 30 -degree allowance, according to the left side of Fig. 5. According to the right side of Fig. 5, the concordance rate of localization of sound source was 90.8% with ± 30 -degree allowance. On the normal-hearing side, the concordance rate was 99.3%. On the deaf side, it was 81.7%.

4. Discussion

From the result of the experiment on localization of sound image, the direction of localization of sound image was almost concordant with the direction of stimuli on the normal-hearing side, and it was not concordant with the direction of stimuli on the deaf side: In some cases, there were no localization, and in other cases, there was a difference between the direction of localization of sound image and the direction of stimuli. In contrast, in the result of the experiment of localization of sound source, the direction of localization of sound image was concordant with the direction of localization of sound source generally over 360 degrees. These results suggest that in monaural hearing, the horizontal localization of sound image is possibly different from that of sound source.

The trend that sound images of stimuli presented on the deaf side were localized on the normal-hearing side agrees with the results of Wightman *et al.* [1] and Slattery *et al.* [2]. However, the result that sound images were localized on the normal-hearing side when the stimuli were presented on the normal-hearing side is not in accord with these results, but it agrees with the result of Butler, who employed broadband noise [3]. The same trend can be seen in the result of horizontal localization of sound image by Kojima *et al.* [4]. The agreement of the present study with those of Butler and Kojima *et al.* in terms of monaural hearing seems to stem from the fact that the latter experiments employed participants with the binaural hearing to test monaural hearing without providing them localization training. The participants of those studies did not localize sound source but sound image. The duration of stimuli in Wightman *et al.* and Slattery *et al.* were short (250 ms), and the experiments included advance localization training, which may have led to confusion between localization of sound image and source, as well as front-back confusion.

Strelnikov *et al.* reported the effect of previous localization

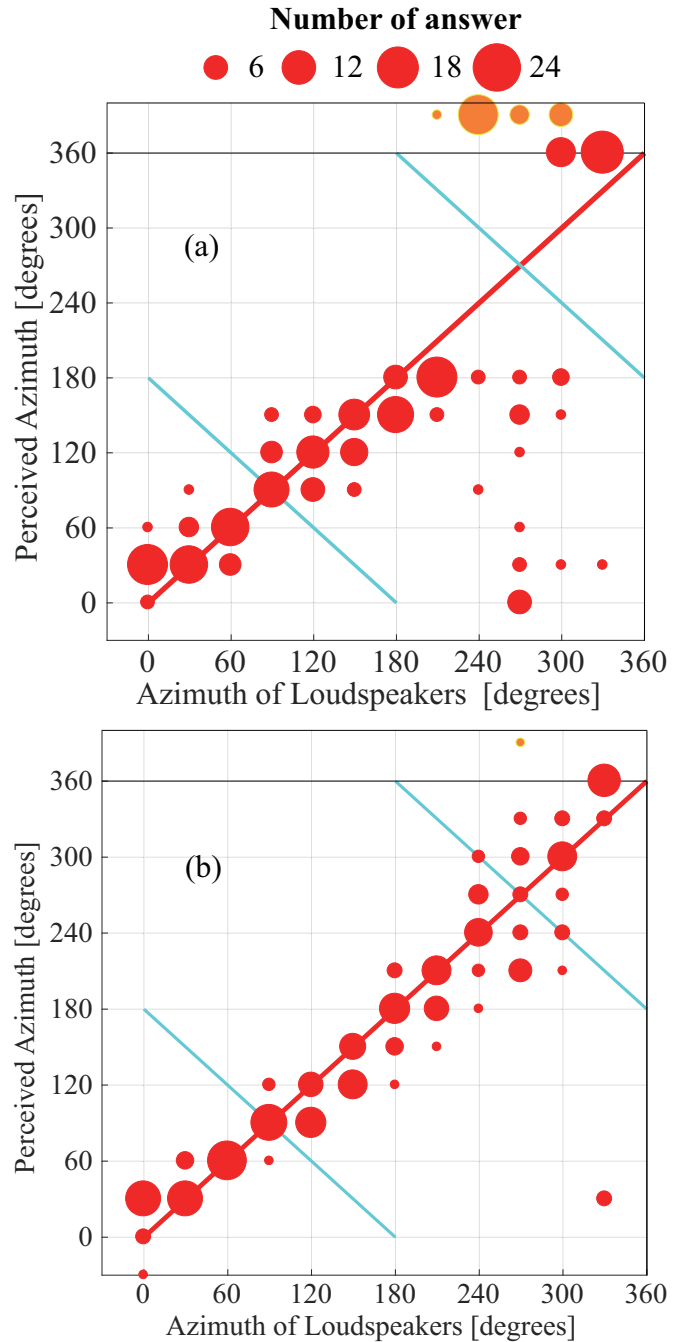


Figure 3: Result of horizontal localization, (a) sound image and (b) sound source

training on monaural hearing [5], and Slattery *et al.* reported that a few congenitally monaural deaf people are able to localize sound generally over 360 degrees [2]. These reports are agreed with our result that the participant was able to localize the sound source over 360 degrees. It is believed that

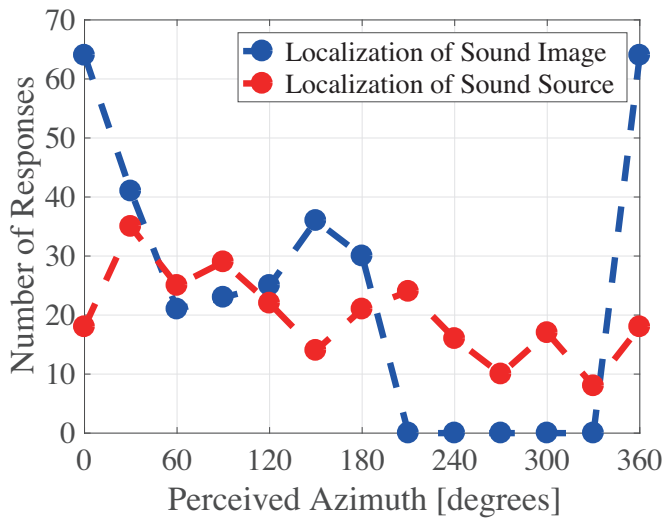


Figure 4: Number of responses in horizontal localization of sound image and source

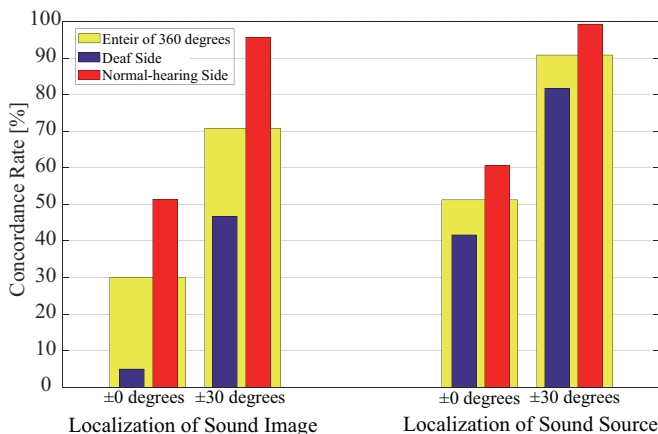


Figure 5: Concordance rate of horizontal localization of sound image and source with ± 0 and ± 30 degree allowance

this correspondence appears because congenitally monaural deaf people often train in sound localization naturally over the course of their life. However, the result of localization of sound image in this study does not agree with the results of the aforementioned previous reports.

Therefore, it is assumed that Butler and Kojima *et al.* presented the result of localization of sound image, while Strelnikov *et al.* and Slattery *et al.* presented the result of localization of sound source.

With these results, it appears that possibly, congenitally monaural deaf people use different information in localization of sound image and source. In the localization of sound image, they use spectral cues, and in the localization of sound source, they use spectral cues and sound level. The information that the localization of sound image and source are based on different information, can possibly be used for prediction of localization of sound source in monaural experiments.

5. Conclusion

Experiments on horizontal localization of sound image and source were carried out with a congenitally monaural deaf participant for investigating differences in horizontal localization of sound image and source in monaural hearing. As a result, it was found that the localization of sound image and source was different result from each other in congenital monaural hearing. This suggests that it will be necessary to distinguish between sound image and source when conducting sound localization experiments with monaural hearing objects.

Acknowledgement

Part of this study was supported by the Cooperative Research Project Program of the Research Institute of Electrical Communication, Tohoku University (H27/A13), and The Telecommunications Advancement Foundation. We would like to thank Professor Tatsuya Hirahara of the Toyama prefectural University, for his cooperating in carrying out these experiments.

References

- [1] F. L. Wightman and D. J. Kistler: Monaural sound localization revisited, *The Journal of the Acoustical Society of America*, Vol. 101, No. 2, pp. 1050-1063, 1997.
- [2] W. H. Slattery III and J. C. Middlebrooks: Monaural sound localization: Acute versus chronic unilateral impairment, *Hearing Research*, Vol. 75, No. 12, pp. 38-46, 1994.
- [3] R. A. Butler: The bandwidth effect on monaural and binaural localization, *Hearing Research*, Vol. 21, No. 1, pp. 67-73, 1986.
- [4] D. Kojima and T. Hirahara: Monaural horizontal sound localization in head still and head movement conditions, *IEICE Technical Report, EA2014-44*, Vol. 114, No. 358, pp. 25-30, 2014 (in Japanese).
- [5] K. Strelnikov, M. Rosito and P. Barone: Effect of Audio-visual Training on Monaural Apatial Hearing in Horizontal Plane, *PLoS ONE*, Vol. 6, No. 3, pp. 1-9, 2011.